

# Enquiries

## Checklists | Sheet 1 – Parameter

**1. max. lifting force in kN**

per actuator	_____ kN	entire system	_____ kN	<b>Installation axis</b>		
				vertical	horizontal	pivoting
in tension	_____ kN	in compression	_____ kN	<b>Type of load</b>		
Load: static	_____ kN	dynamic	_____ kN	smooth	impact loads	vibration

**2. max. lift/travel** \_\_\_\_\_ mm      effective working stroke \_\_\_\_\_ mm

**3. Lifting speed**  
\_\_\_\_\_ mm/s

**i** See available stroke speeds table Standard configurations catalogue electromechanical actuators

**4. Duty factor, work cycle, description of cycle**

\_\_\_\_\_ strokes per hour      \_\_\_\_\_ strokes per day      Hours per day:      8      16      24

**i** For high duty factors or long strokes, please provide an exact detailed description on the following page

**5. Motor**      Three-phase AC motor      with brake      Manual release      \_\_\_\_\_

**6. Operating conditions**      Dry      Humid      Dust      Chipping      \_\_\_\_\_

Guided movement      No guides

Ambient temperature:      min. \_\_\_\_\_ °C      max. \_\_\_\_\_ °C (when < 10 °C and > 40 °C)

**i** If possible please provide an exact description or sketch on the following page

**7. Standard layouts no.:** \_\_\_\_\_      Size:      MA1 \_\_\_\_\_      MA2 \_\_\_\_\_      MA3 \_\_\_\_\_      MA4 \_\_\_\_\_      MA5 \_\_\_\_\_

see standard layouts, checklists sheets 3 and 4 (for multi-jack systems)

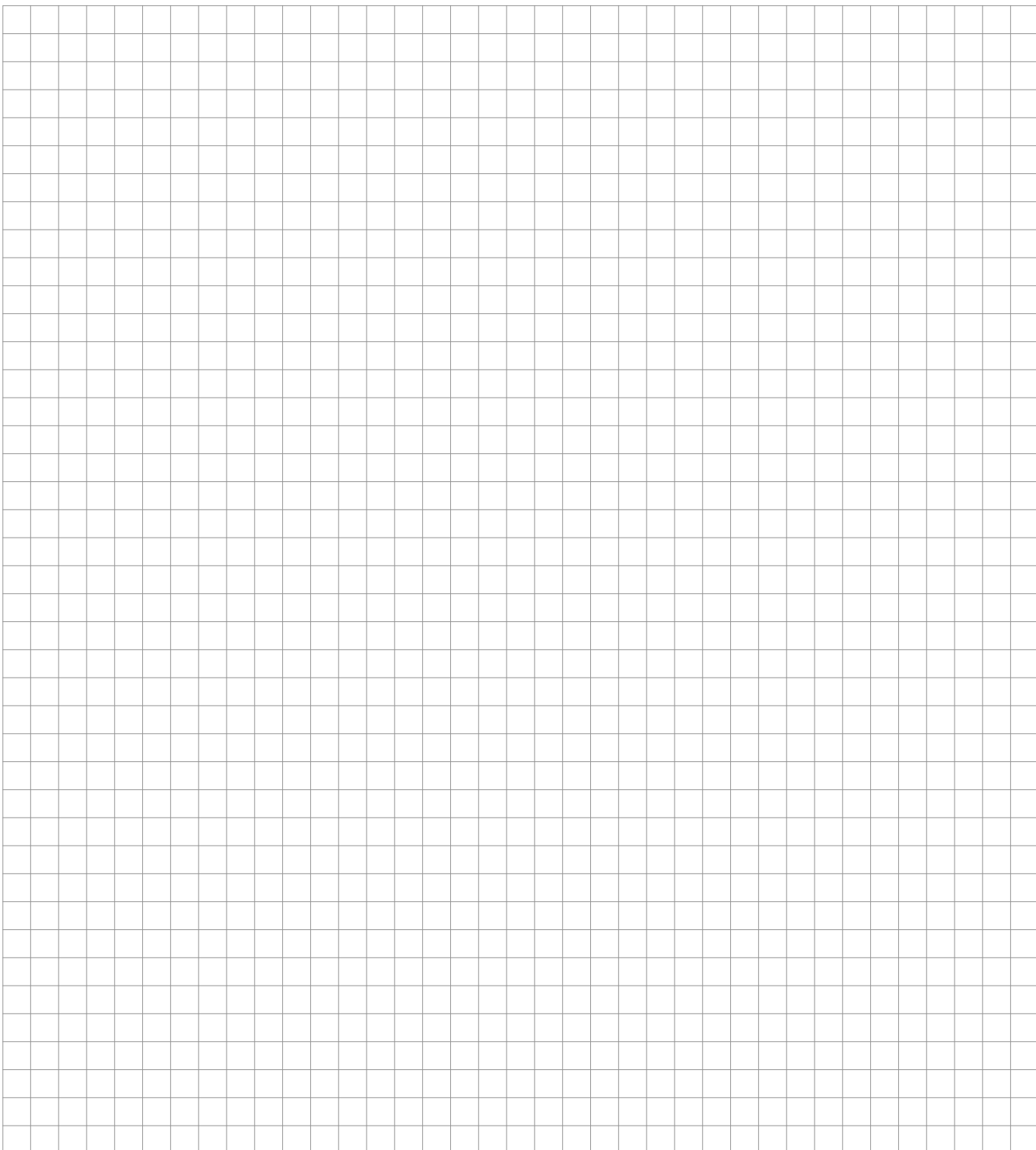
**8. Quantity Required** \_\_\_\_\_      Series \_\_\_\_\_

**9. Schedule Quotation** \_\_\_\_\_      Delivery \_\_\_\_\_

# Enquiries

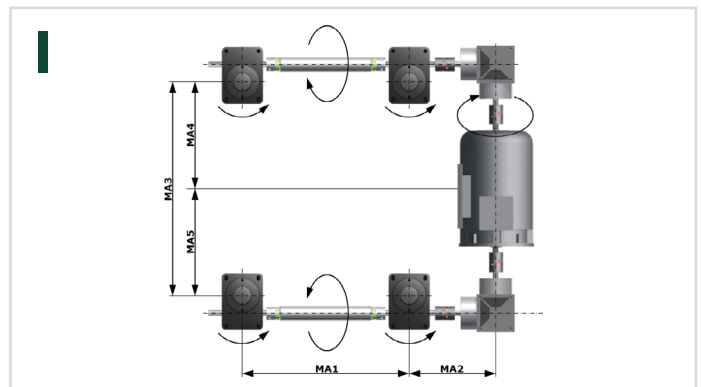
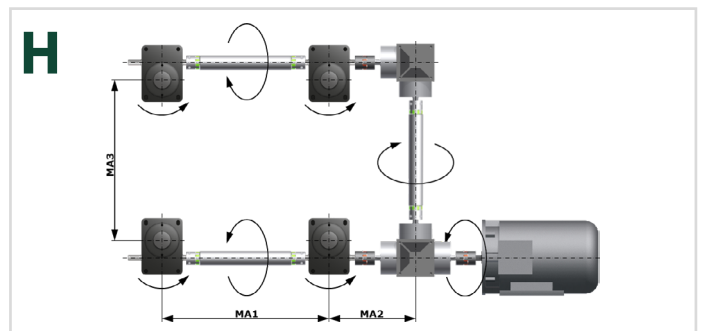
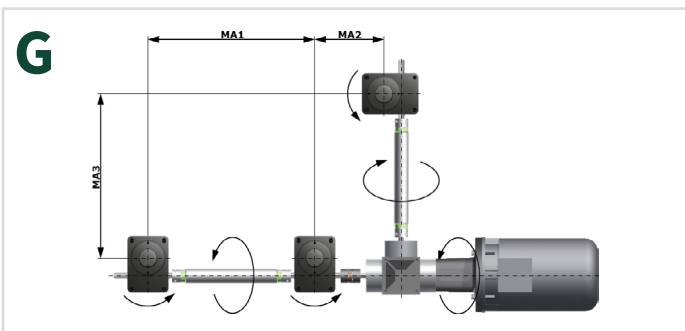
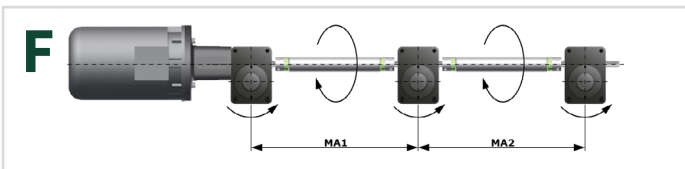
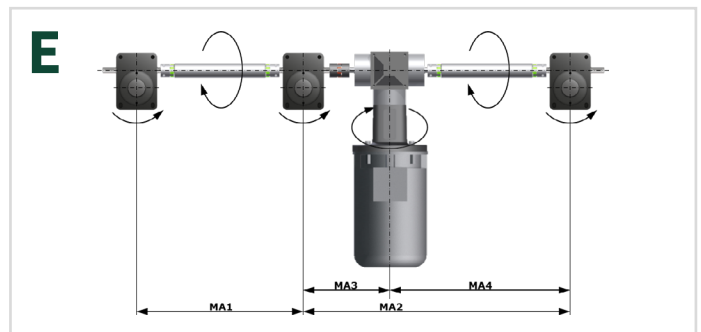
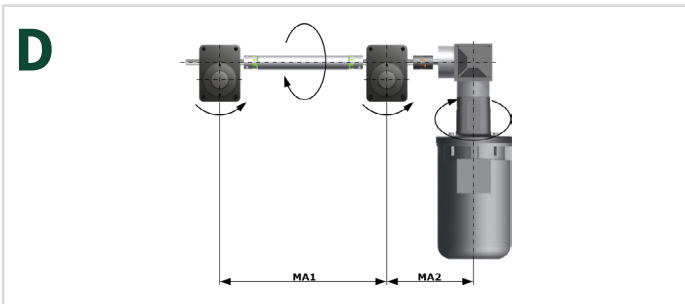
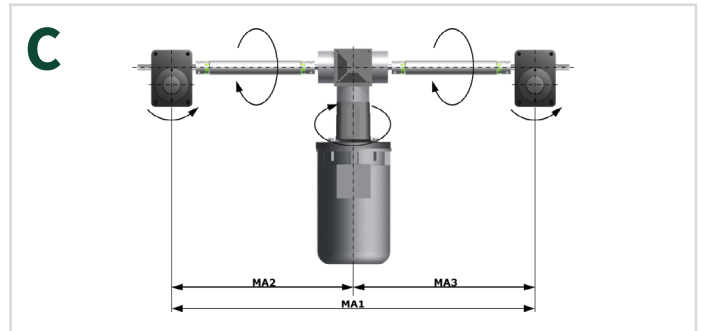
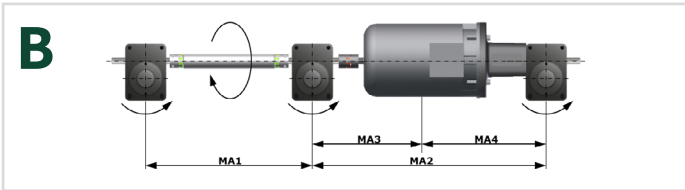
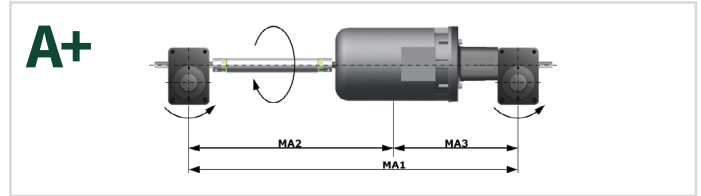
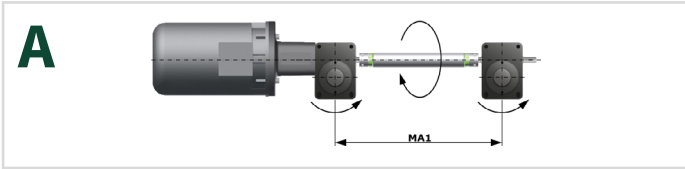
## Checklists | Sheet 2 – Parameter (optional)

**6a. Purpose / description of the function / ambient conditions (description or sketch)**

A large grid of graph paper, consisting of 20 columns and 30 rows of small squares, intended for drawing or sketching a technical diagram or function description.

# Enquiries

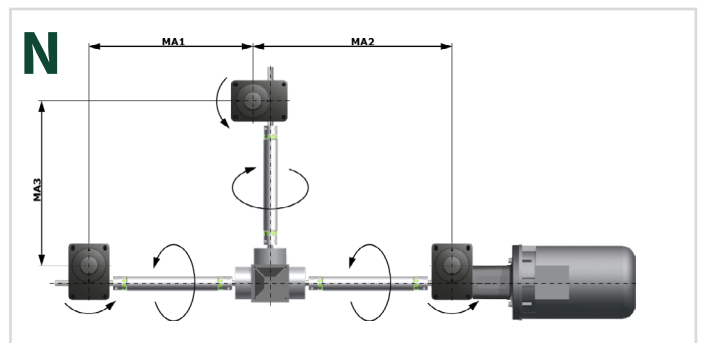
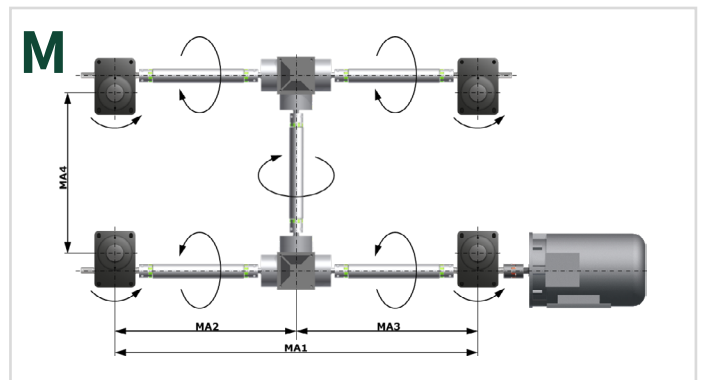
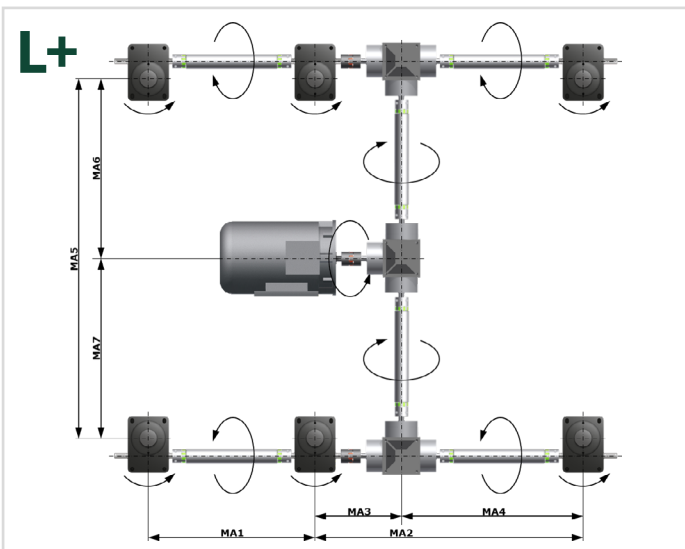
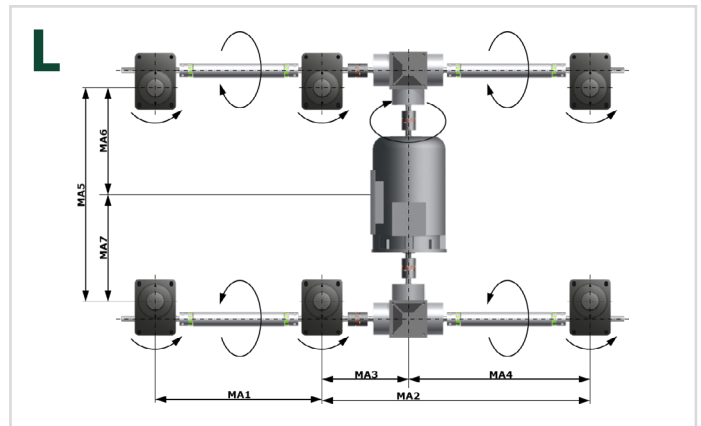
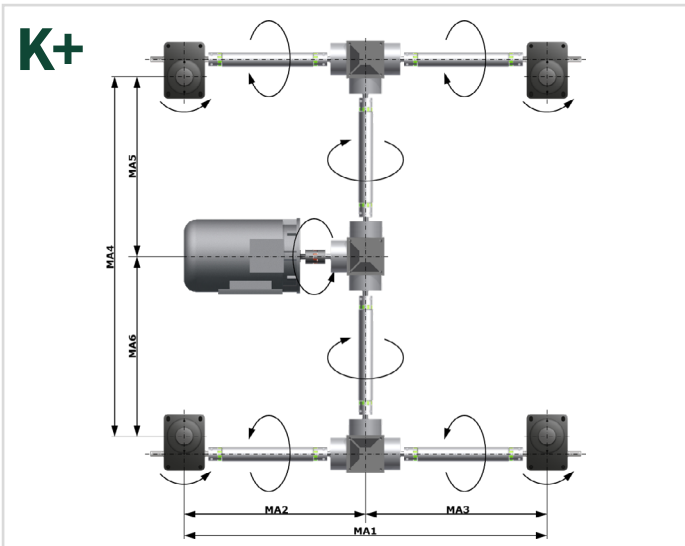
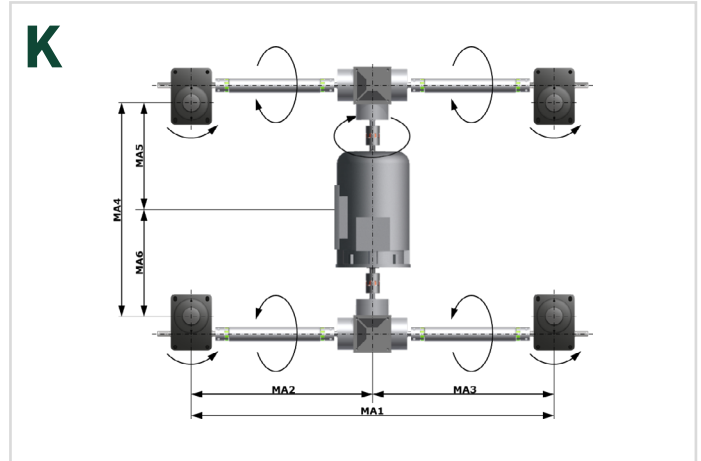
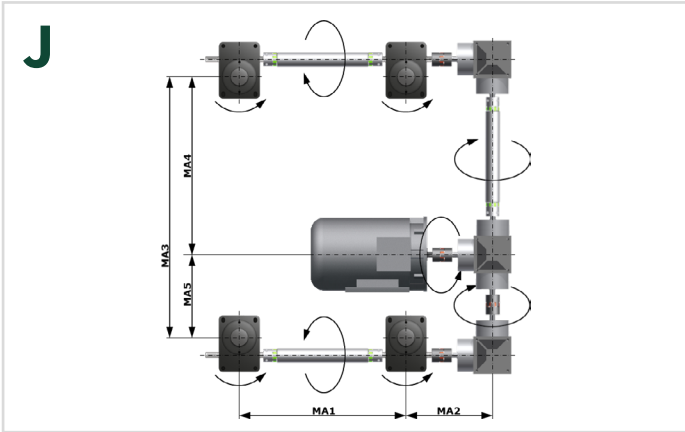
## Checklists | Sheet 3 – System layouts



The most common layouts are shown.  
If your design is different, be sure to check the direction of rotation.

# Enquiries

## Checklists | Sheet 4 – System layouts



The most common layouts are shown.  
If your design is different, be sure to check the direction of rotation.



# Enquiries

## Checklists | Blatt 5 – List of components

**Type:**

normal  
low speed

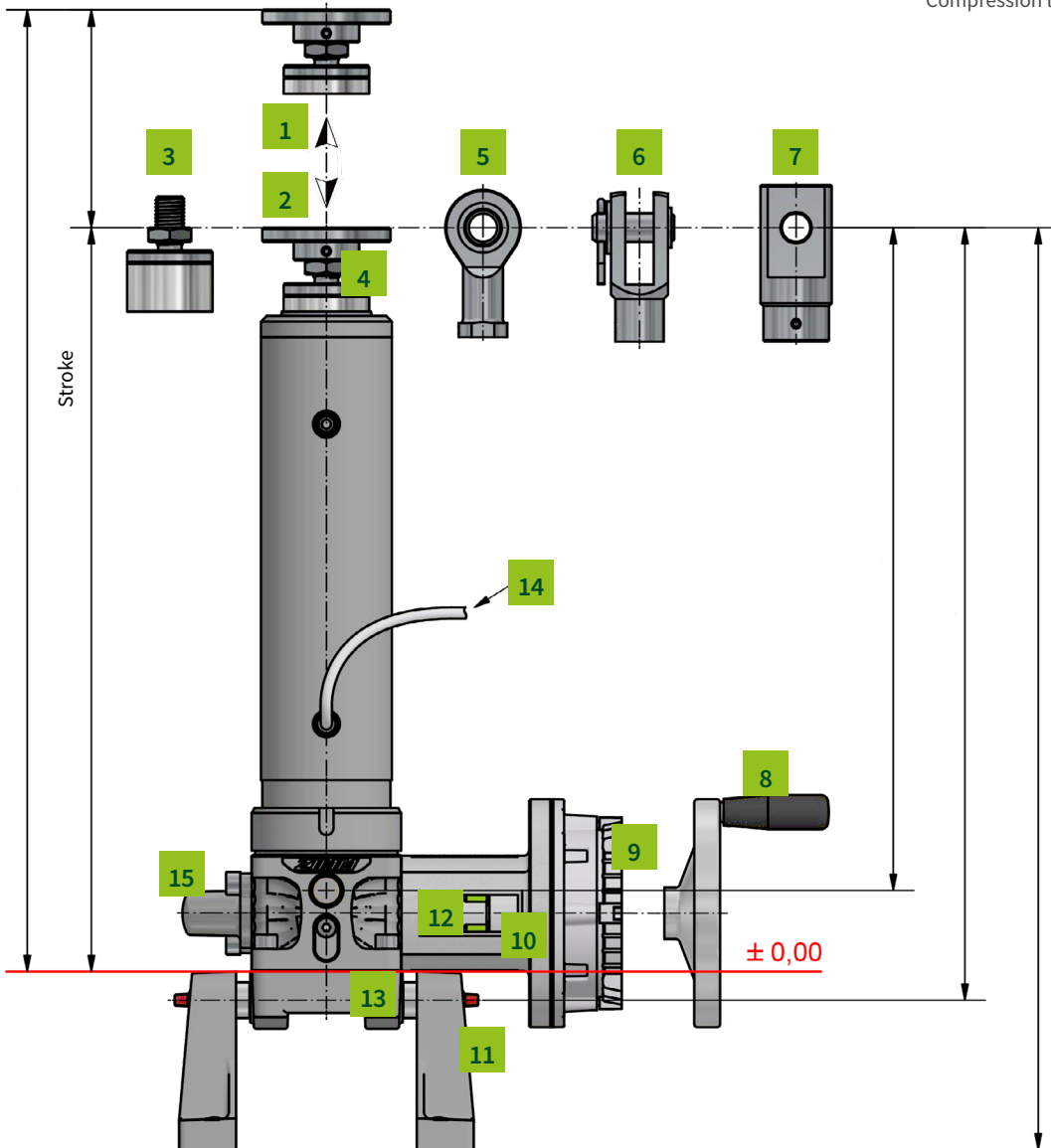
**Variant:**

Tr Screw  
SIFA Safety nut  
KGT Ball screw

**Stroke:**

\_\_\_\_\_ mm

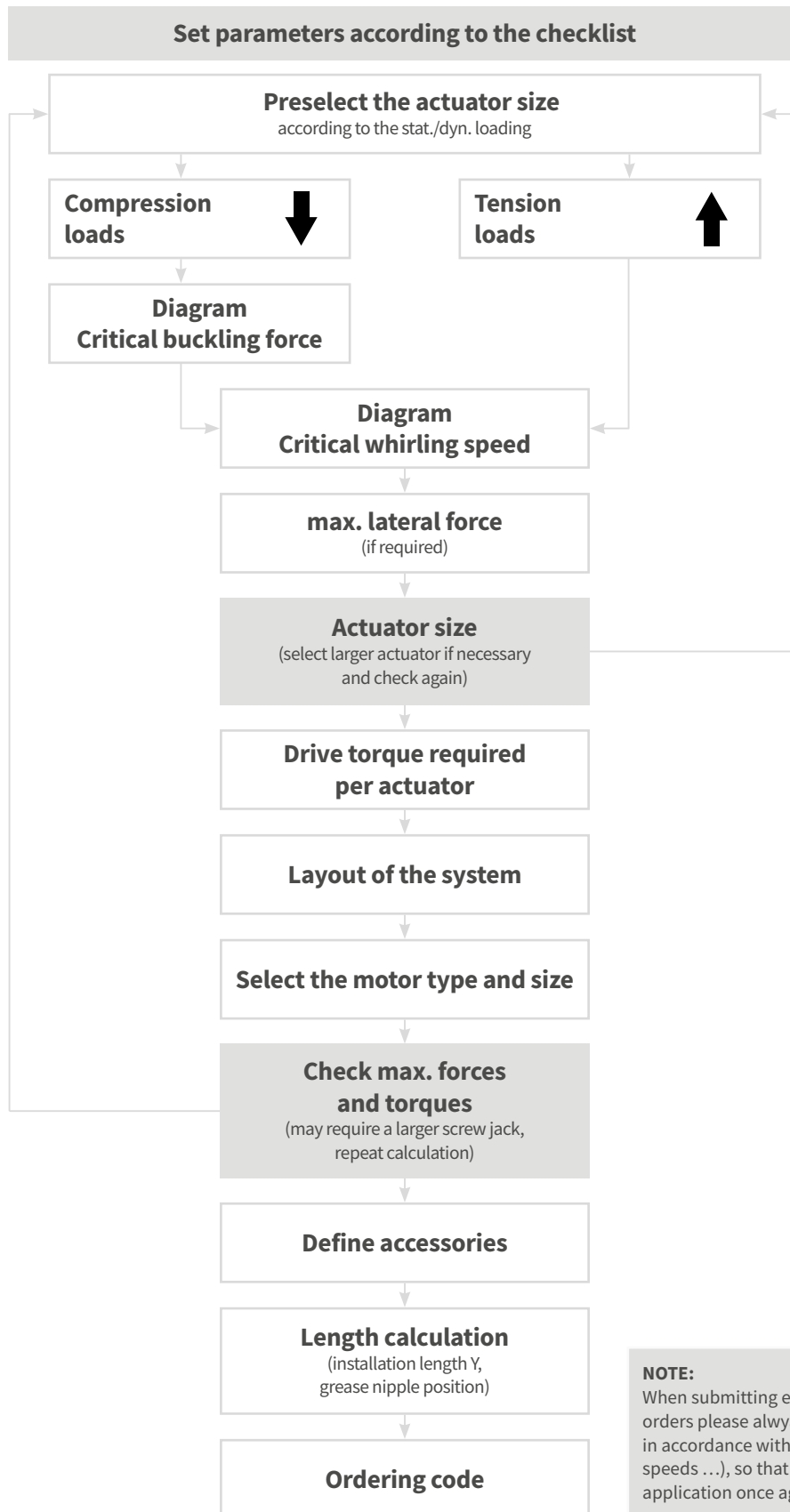
- 1. Tension load (kN): static \_\_\_\_\_
- Tension load (kN): dynamic \_\_\_\_\_
- 2. Compression load (kN): static \_\_\_\_\_
- Compression load (kN): dynamic \_\_\_\_\_



- 3. Standard
- 4. Fixing flange BF
- 5. Rod end KGK
- 6. Forked end GK
- 7. Pivot bearing end SLK
- 8. Handwheel HR
- 9. Motor with brake  
Motor without brake
- 10. Motor flange MF
- 11. Pivot mount LB
- 12. Coupling KUZ
- 13. Pivot bearing plate KAR
- 14. Lubricator  
(PLC-capable)
- 15. Protective cap SK

# Procedure of specification

## an actuator or lifting system



**NOTE:**  
When submitting enquiries and placing orders please always specify the parameters in accordance with the checklist (loads, speeds ...), so that we can check the application once again.